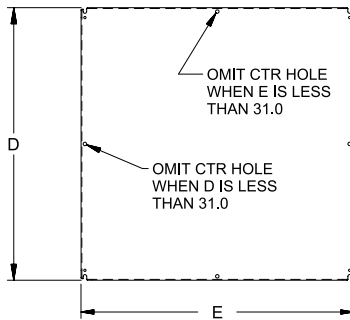


General Accessories

Panels

Panels for Eclipse Series Enclosures

- Larger than standard NEMA panel used in same sized enclosure.
- 12 gauge steel construction.
- Larger sizes have 2 or 4 formed flanges for added strength.
- Slotted corner design for easier mounting.
- Finished in white or unpainted galvanized.



Mild Steel Part No.	Galvanized Part No.	Size		
		D	E	Gauge
EP1212 ¹	EPG1212 ¹	10.2	10.2	12
EP1224 ¹	EPG1224 ¹	10.2	22.2	12
EP1612 ¹	EPG1612 ¹	14.2	10.2	12
EP1616 ¹	EPG1616 ¹	14.2	14.2	12
EP1620 ¹	EPG1620 ¹	14.2	18.2	12
EP2012 ¹	EPG2012 ¹	18.2	10.2	12
EP2016 ¹	EPG2016 ¹	18.2	14.2	12
EP2020 ²	EPG2020 ²	18.2	18.2	12
EP2024 ²	EPG2024 ²	18.2	22.2	12
EP2412 ¹	EPG2412 ¹	22.2	10.2	12
EP2416 ²	EPG2416 ²	22.2	14.2	12
EP2420 ²	EPG2420 ²	22.2	18.2	12
EP2424 ³	EPG2424 ³	22.2	22.2	12
EP2430 ³	EPG2430 ³	22.2	28.2	12
EP2442 ³	EPG2442 ³	22.2	40.2	12
EP2448 ³	EPG2448 ³	22.2	46.2	12
EP3012 ²	EPG3012 ²	28.2	10.2	12
EP3016 ³	EPG3016 ³	28.2	14.2	12
EP3020 ³	EPG3020 ³	28.2	18.2	12
EP3024 ³	EPG3024 ³	28.2	22.2	12

Mild Steel Part No.	Galvanized Part No.	Size		
		D	E	Gauge
EP3030 ³	EPG3030 ³	28.2	28.2	12
EP3036 ³	EPG3036 ³	28.2	34.2	12
EP3042 ³	EPG3042 ³	28.2	40.2	12
EP3048 ³	EPG3048 ³	28.2	46.2	12
EP3060 ³	EPG3060 ³	28.2	58.2	12
EP3624 ³	EPG3624 ³	34.2	22.2	12
EP3630 ³	EPG3630 ³	34.2	28.2	12
EP3636 ³	EPG3636 ³	34.2	34.2	12
EP3642 ³	EPG3642 ³	34.2	40.2	12
EP3648 ³	EPG3648 ³	34.2	46.2	12
EP3660 ³	EPG3660 ³	34.2	58.2	12
EP4224 ³	EPG4224 ³	40.2	22.2	12
EP4230 ³	EPG4230 ³	40.2	28.2	12
EP4236 ³	EPG4236 ³	40.2	34.2	12
EP4824 ³	EPG4824 ³	46.2	22.2	12
EP4830 ³	EPG4830 ³	46.2	28.2	12
EP4836 ³	EPG4836 ³	46.2	34.2	12
EP6036 ³	EPG6036 ³	58.2	34.2	12
EP7230 ³	EPG7230 ³	70.2	28.2	12
EP7236 ³	EPG7236 ³	70.2	34.2	12

¹ Flat Panel ² 2 Formed Flanges ³ 4-Formed Flanges

Panels for 1420 Series Enclosures

- Panels and mounting hardware are included with 1420 Series enclosures.
- 12 gauge steel finished in white.

Part No.	Panel		For Use With Enclosure	
	Length	Width	Height	Width
20P1410 ¹	14	10	16	12
20P1814 ¹	18	14	20	16
20P1818 ¹	18	18	20	20
20P2218	22	18	24	20
20P2222	22	22	24	24
20P2818	28	18	30	20
20P2822	28	22	30	24
20P3422	34	22	36	24
20P3428	34	28	36	30
20P4022	40	22	42	24
20P4028	40	28	42	30
20P4034	40	34	42	36
20P4634	46	34	48	36

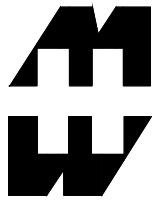
¹ Flat panel

Panels for 1422 Series Floormount Enclosures

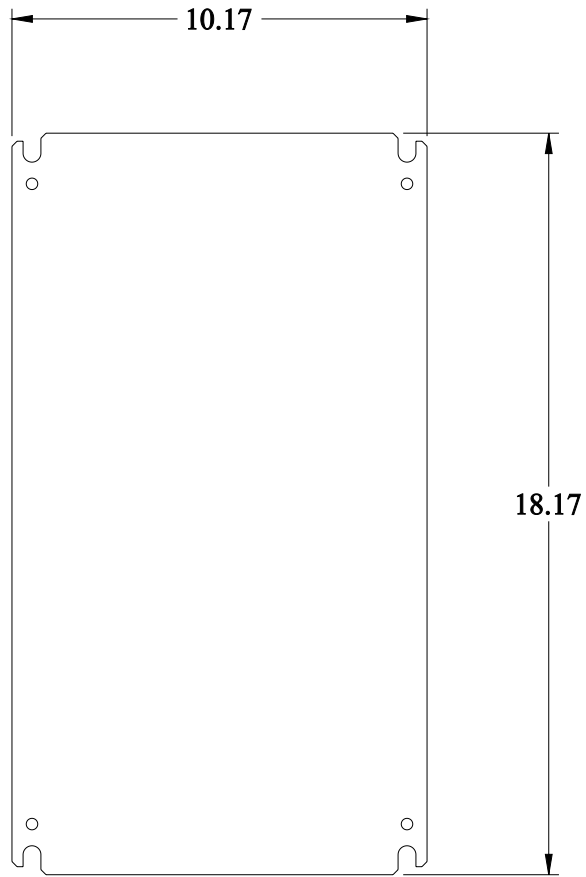
- 22P5038 is formed from 12 gauge steel, all others are 10 gauge steel.
- Panels and mounting hardware are included with 1422 Series enclosures.
- Finished in white.

Part No.	Panel		For Use With Enclosure	
	Length	Width	Height	Width
22P5038	50	38	54	42
22P5644	56	44	60	48
22P5656	56	56	60	60
22P6856	68	56	72	60
22P6868	68	68	72	72

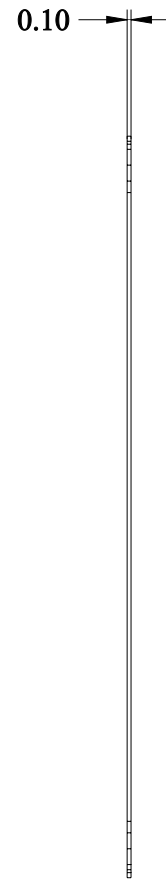
All dimensions in inches unless specified otherwise



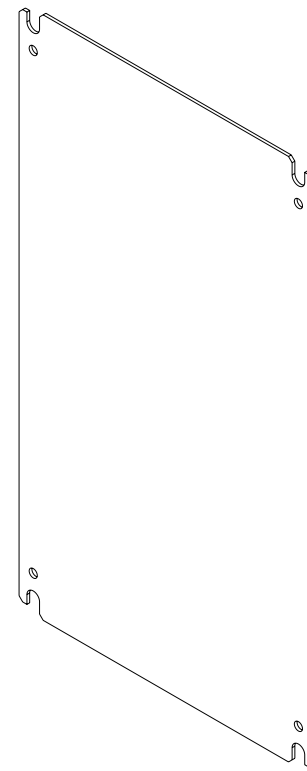
PART No. EP2012



FRONT VIEW



SIDE VIEW



ISOMETRIC VIEW